

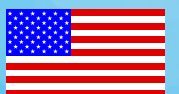
PRECISION  **MEDICAL**®

AIR COMPRESSORS



*Power & performance
when you need it!*

Made in



Air Compressors

It's Powerful...

The powerful 1/5 horsepower high performance compressor delivers a minimum of 15 lpm at 50 psi.

It's Versatile...

The Easy/Comp can be used anywhere effective and convenient aerosol treatments are needed.

It's Easy to Use ...

The pressure gauge is slanted making it easier to read. It comes with a Velcro™ strap for easy cord wrapping. It also comes with non-marring suction feet to attach the unit securely to most surfaces without damaging or marking the surface.

It's Lightweight...

The Easy/Comp weighs only 10.8 lbs., making it easy to carry by any caregiver.

It's Safe...

Safety is assured with the automatic resetting thermal limit switch which prevents the unit from overheating.



EasyComp Compressor
PM50

Ordering Information

| Part Number | Description |
|-------------|--|
| PM50 | EasyComp compressor with Hospital Grade Power Cord |

Made in



It's Just as Powerful ...

No sacrificing power with the Easy/Air. We've put the same power & flow you're used to, a minimum of 13 l/min at 50 psi, in a much smaller package.

It's Lightweight ...

The Easy/Air weighs only 20.4 lbs. making it much easier to carry. It is an average of 22% lighter than comparable compressors.

It's Compact...

An average of 37% smaller than other units, it fits into areas where space is at a minimum.

It's Easy to Use ...

The PM15-F eliminates the need for pressure/flow calculations with a built-in flow gauge. This unique feature allows the caregiver to set the air flow in lpm by simply dialing in the desired flow. The PM15-P is also available with a standard pressure gauge.



EasyAir Compressor
PM15-F

It Aids Compliance ...

The unique built-in hour meter aids in determining when preventative maintenance is due. This money saving feature helps compliance with JCAHO maintenance record keeping.

It's Easy to Maintain ...

Both compressor filters are on the outside of the cabinet, making filter cleaning easier and more accessible for patients and caregivers.

It's Durable ...

The ABS plastic cabinet is durable, attractive, easy-to-clean and infection control friendly.

It's Safe ...

Safety is assured with the automatic resetting thermal limit switch which protects the unit from overheating.



EasyAir Compressor
PM15-P

Ordering Information

| Part Number | Description |
|-------------|---|
| PM15-F | EasyAir Compressor with flow gauge, J Bracket & Hospital Grade Power Cord |
| PM15-P | EasyAir Compressor with pressure gauge, J Bracket & Hospital Grade Power Cord |

Made in



Compressor Accessories

PM15-1 J Bracket

The J Bracket allows for attachment of wall mounted nebulizers to the PM15 Compressor. The bracket is constructed of stainless steel incorporating a female hex nut on the inlet and a male on the outlet.



PM15-3 Cooling Coil with Condensation Trap

The unit easily attaches to the outlet fitting of the PM15 Compressor with a hex nut & nipple. Condensation is collected in a visible bowl and can be removed by activating the quick release check on the bottom of the unit.



PM15-4 Condensation Trap

Condensation is collected in a visible bowl and can be removed by activating the quick release check on the bottom of the unit.



PM15-5 and PM15-6 Flow Gauges

The Flow Gauge allows the user to set a flow rate in lpm when attached to compressor outlet fitting. It can be used with any 50 psi compressor.



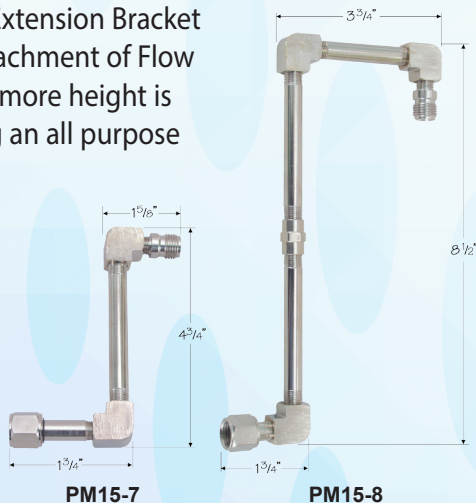
Flow Gauge Ordering Information:

- PM15-5 Flow Gauge with Female Hex Nut 1" Stem
- PM15-6 Flow Gauge with Female Hex Nut 1-1/2" Stem

PM15-7 Flow Gauge Extension Bracket and PM15-8 Extension J Bracket

The PM15-7 Extension Bracket allows for attachment of Flow Gauge when more height is needed using an all purpose nebulizer.

The PM15-8 Extension J Bracket allows for attachment of 1000cc Humidifier Bottle.



PM60-1 Roll Stand

The Roll Stand allows you to easily move a compressor or suction unit from room to room allowing easy placement anywhere. The stand shelf is large enough to accommodate any of Precision Medical's air compressors, aspirators or nebulizer compressors.



Made in 

Precision Medical, Inc.

300 Held Drive • Northampton, PA 18067 USA

Phone: 610-262-6090

Toll-Free Phone: 800-272-7285

Fax: 610-262-6080

Toll-Free Fax: 800-352-1240

www.precisionmedical.com